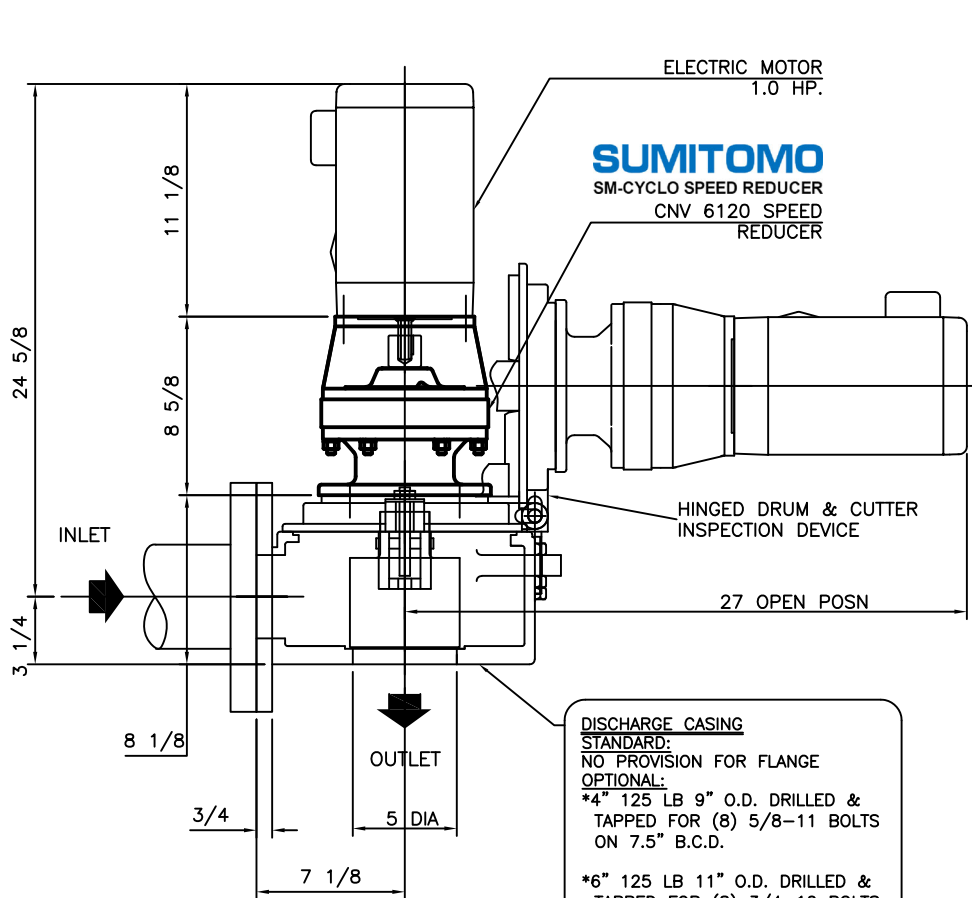


RELEASE EYEBOLTS
SECURING COVER
AND SWING CUTTING
MECHANISM CLEAR
OF CASING FOR
INSPECTION AND
MAINTENANCE

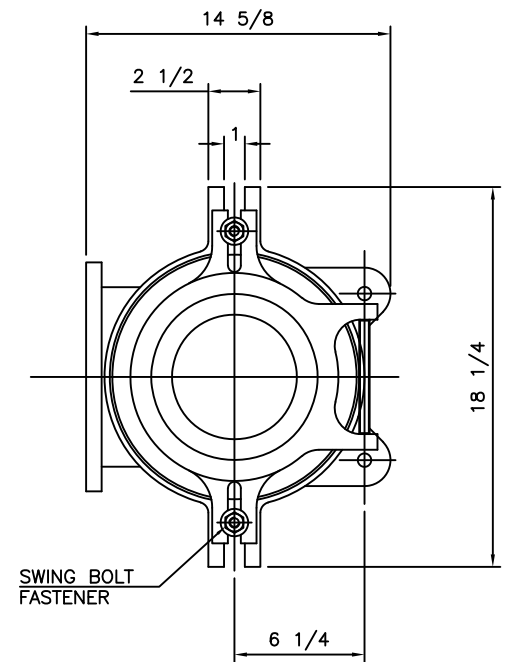
MODEL 5A **Hb** HEAVY DUTY

FREE DISCHARGE

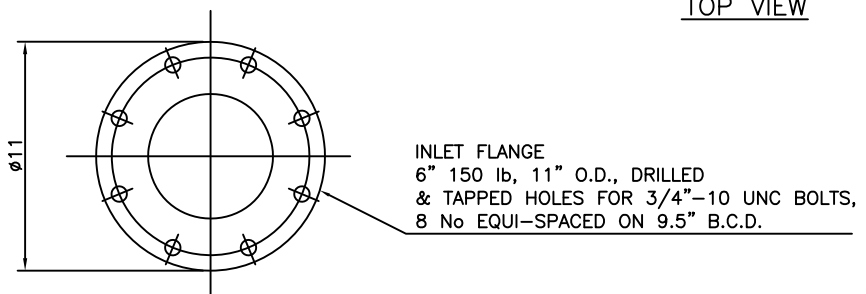
SERIAL NO.: ----



SIDE VIEW



TOP VIEW



INLET FLANGE DETAIL

MATERIALS OF CONSTRUCTION & GENERAL ENGINEERING DATA

HOUSING:	GREY IRON	CAPACITY:	130 GPM (US) / 8.2 L/s	INLET AREA:	13 SQ. IN. 83.9 cm sq.
DRUM (SCREEN):	DUCTILE IRON (ASTM 536 GRADE 60-45-18)	DRUM SPEED:	50 RPM	OUTLET AREA:	8 SQ. IN. 51.6 cm sq.
SHEAR BARS:	AISI-A2 HIGH ALLOY TOOL STEEL	ROTATION:	C / CLOCKWISE	DRUM DIAMETER:	5.3 IN. 13.5 cm
CUTTING BARS:	AISI-01 TOOL STEEL REVERSIBLE	SLOT WIDTH:	.470 IN / 12 mm	WEIGHT:	170 LBS 77 kg
HARDWARE & FASTENERS:	304 STAINLESS STEEL	NO. OF SLOTS:	12		
MOTOR MANUFACTURER:	-	POWER: / 3 / 60	RPM: 1750	REDUCER: SM - CYCLO	MODEL: V6120
STYLE: TEFC (IP55)	HP: 1.0	KW: 0.746	FRAME: 56C	FLANGE: 'C'	RATIO: 35:1
					RATING: 4.27 HP



G.E.T. INDUSTRIES INC.
get@grindhog.com
www.grindhog.com
1 (877) 213-7418

TOLERANCES	DIMENSIONAL DETAIL	SCALE	NTS
DECIMAL		DRAWN BY	G.P.
FRACTIONAL		APPROVED BY	W.D.M.
ANGULAR		REVISION	
DATE	FILE NO.	DWG NO.	
MAR. 2014	-	6 0010, 9 0058 & 9 0200	



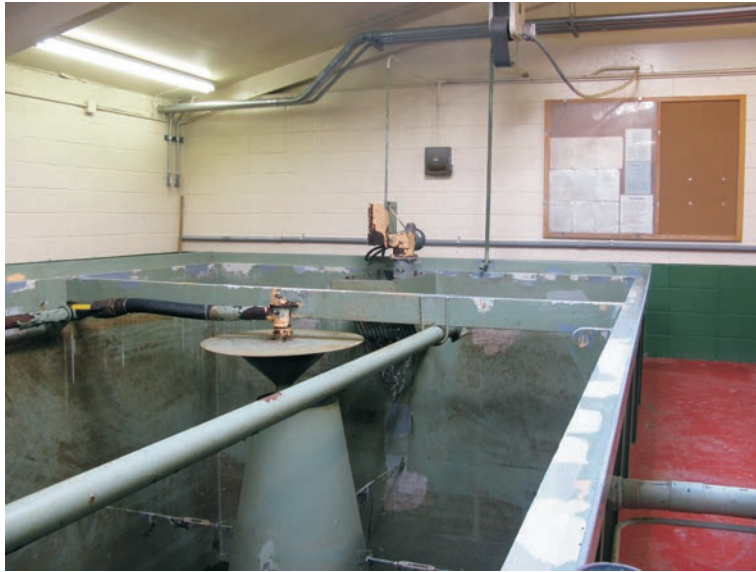
Using Existing Channel
Installed

GRIND HOGTM 5A *Hb* HEAVY DUTY
With Coupling Overflow



REPLACING

EXISTING PCI A5



GRIND HOG™ 5A **Hd** EAVY UTY

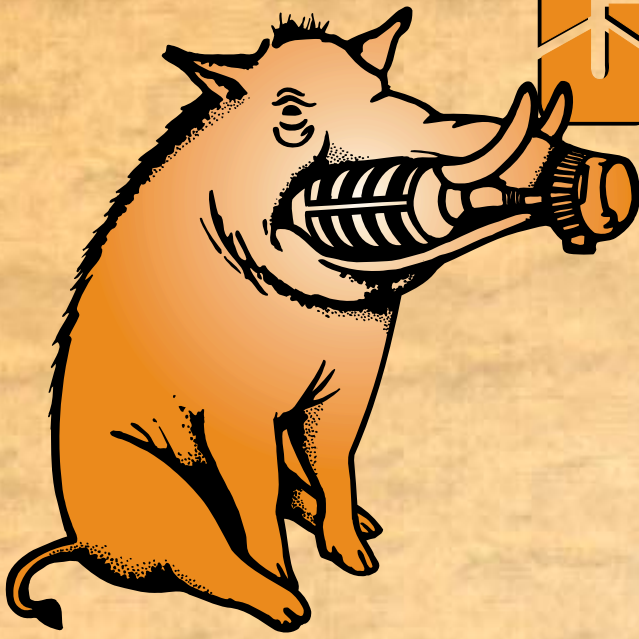
With Coupling Overflow



G.E.T. INDUSTRIES INC.
Toll Free: (877) 213-7418

E-mail: get@grindhog.com ♦ Web: www.grindhog.com

Grind Hog™



PORT GAMBLE, WA
Replacement of
Clow A5

Grind Hog™ 5A *HD* EAVY DUTY



Previous Clow Installation



G.E.T. INDUSTRIES INC.

Toll Free: (877) 213-7418

E-mail: get@grindhog.com ♦ Web: www.grindhog.com